

MODELE NON SURDIMENSIONNE

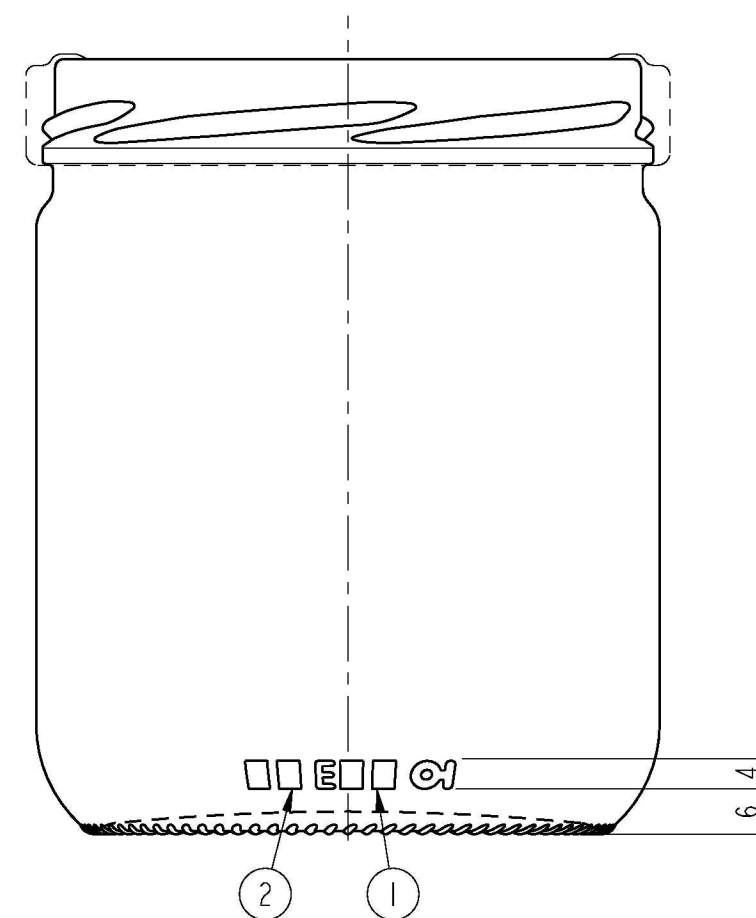
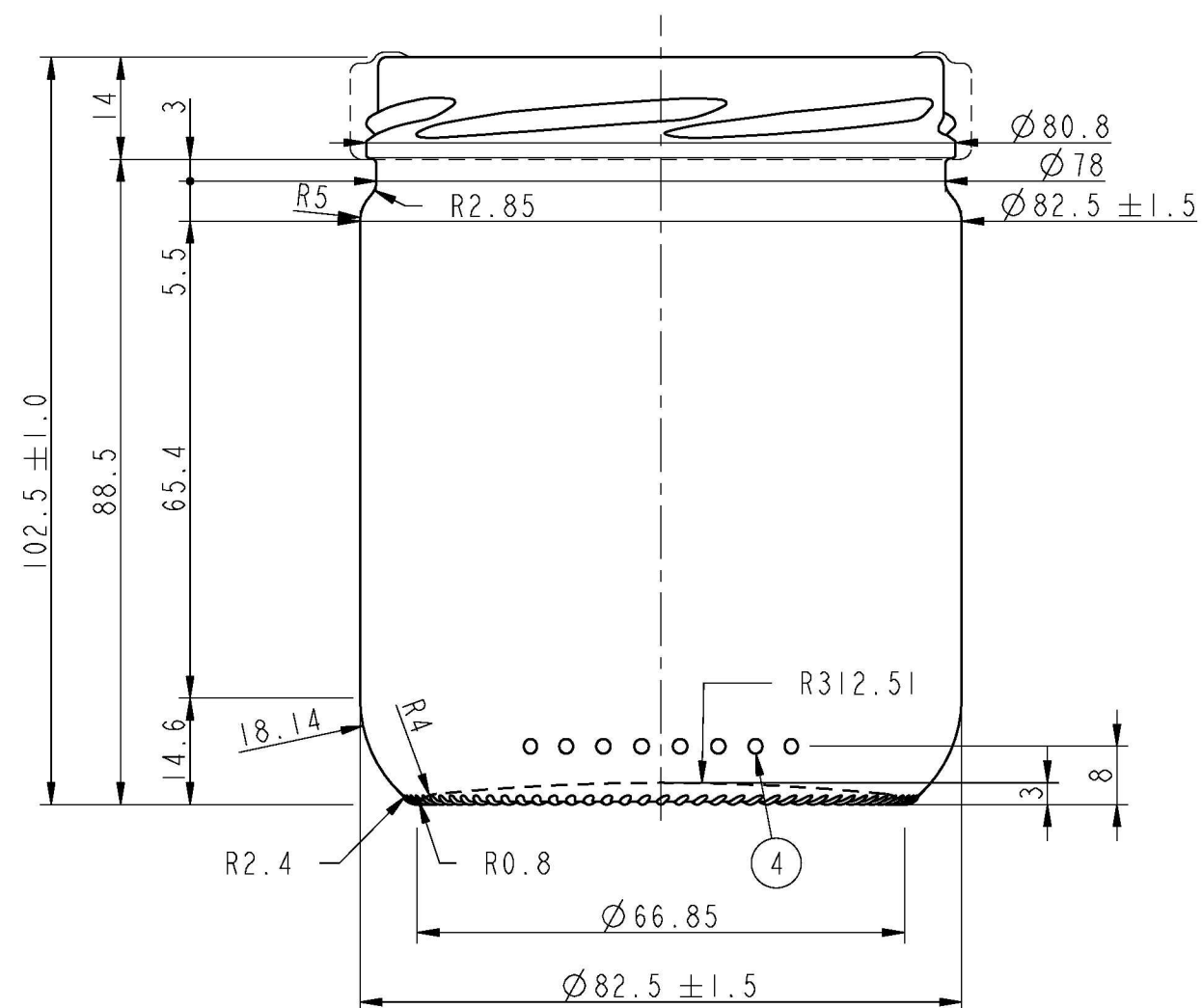
GLASS IS LIFE™

O-I makers of pure, sustainable, brand-building glass packaging

O-I Manufacturing France

64 bd du 11 Novembre 1918 - BP 1228
69611 Villeurbanne Cedex, France
Tel. +33 (0)426686500

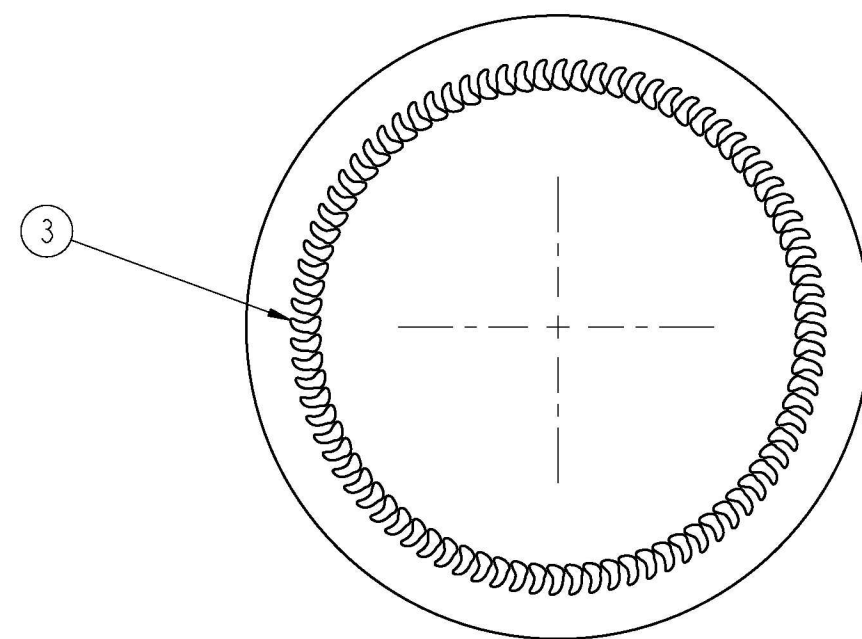
**CONTAINER & MOULD ENGINEERING
EUROPE**



NOTES:
THIS DRAWING IS THE PROPERTY OF O-I AND MUST NOT BE REPRODUCED OR DISCLOSED WITHOUT O-I WRITTEN AUTHORIZATION.

DIMENSIONS EXPRESSED IN mm
ONLY TOLERANCED DIMENSIONS ARE GUARANTEED.

MANUFACTURING MARKINGS SHOWN ARE FOR ILLUSTRATIVE PURPOSES ONLY, ACTUAL MARKINGS ON CONTAINER MAY DIFFER, DEPENDANT ON LOCAL LEGISLATION.



1 = TRADEMARK
2 = CAVITY No.
3 = STIPPLING
THE SHAPE OF STIPPLES IS ONLY AN INDICATION AND THE CONSTRUCTION IS AT THE PRODUCTION PLANT DISCRETION.
4 = CAVITY CODE

SCALE 1:1

HEAT TREATMENT XX °C maxi	CARBONATION XX g CO2/l maxi
VERTICAL LOAD 150 daN maxi	THERMAL SHOCK 42 °C maxi
CATEGORY FOOD	TILT ANGLE 34.27°
MAX. VERTICALITY TOLERANCE 1.5 mm	MEASURING CONTAINER NO
FINISH SAP NUMBER 3743	FINISH REF. CETIE GME 20-09 1995
MINIMUM THROUGH BORE mm	MAX FILLING TUBE Ø mm

CONTAINER OVERFLOW CAPACITY (BRIMFUL)
446ml ± 8,9ml

CONTAINER RATED CAPACITY (FILLPOINT)
NA

CONTAINER WEIGHT
195g APPROX.

FINISH DESIGNATION FR_82_GME 20-09_H140_3743
MAX GAS VOLUME

PROCESS RETURNABLE NO
DESIGN REF. 14-4011

**STANDARD
446 ML POT TO 82**

DESIGNER BCO DATE 13/01/12

CHECKED DATE

DRAWING NUMBER 120034
MOULD/SAP NUMBER 013525

No	DATE	REVISIONS	DESIGN/CHECK
	02/02/12	REPRISE KBE ANNULE ET REMPLACE N° PLAN 6145-01 C	BCO